

# Universal Components Inc.



**Universal Components Inc.**

1313 Hall Spencer Rd.  
Rock Hill, S.C. 29730  
Phone: 803-324-5176  
Fax: 803-324-2640  
[www.ucimfg.com](http://www.ucimfg.com)  
[sales@ucimfg.com](mailto:sales@ucimfg.com)



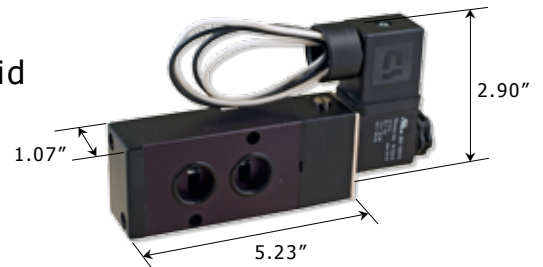


# Namur Mount Solenoid

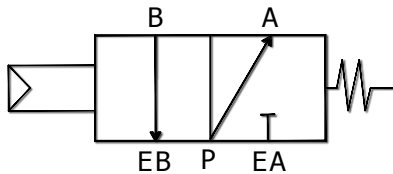


## BN4S Namur Mount Solenoid

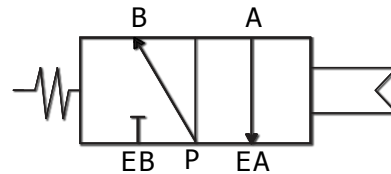
- Duty Cycle 100% Continuous
- Manual Override Standard
- IP65 Thermoset Resin Coil
- NBR Seals
- Plastic Armature Nut w/Built in Snubber
- Repair Kits Available
- Temp range 0°F to 130°F (With Dry Media)



Standard Configuration



Optional Configuration



### How to Order: Part Number

**B** **N** **4** **S** - **C** **1**

**BODY:**

- B** = Black Anodized
- C** = Clear Anodized
- N** = Nickle Infused
- S** = 304 Stainless

**MOUNTING:**

- N** = Namur Mount

**MODEL:**

- 3** = Three-Way
- 4** = Four-Way

**SOLENOID POSITION:**

- S** = Single
- D** = Double

**CONFIGURATION:**

- R** = Optional
- Blank** = Standard

**VOLTAGE:**

- 1** = 110 VAC
- 2** = 24 VDC
- 12** = 12 VDC
- 22** = 220 VAC
- 24** = 24 VAC

**ELECTRICAL TERMINATION:**

- C** = 1/2" Conduit
- D** = Din Connector
- EX** = Explosion Proof
- CS** = Cord Set w/2 Meter Lead
- P** = Air Piloted



# Limit Switch

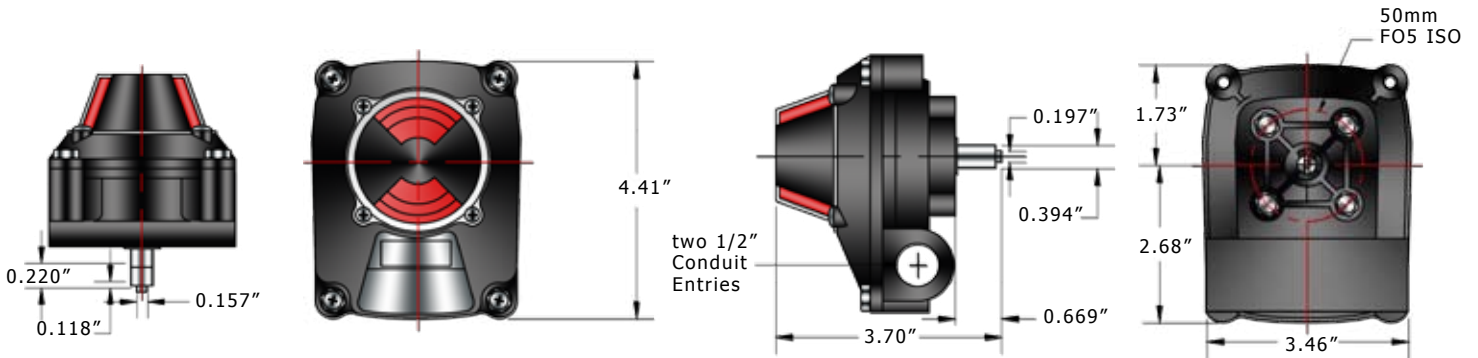


## S2 Limit Switch

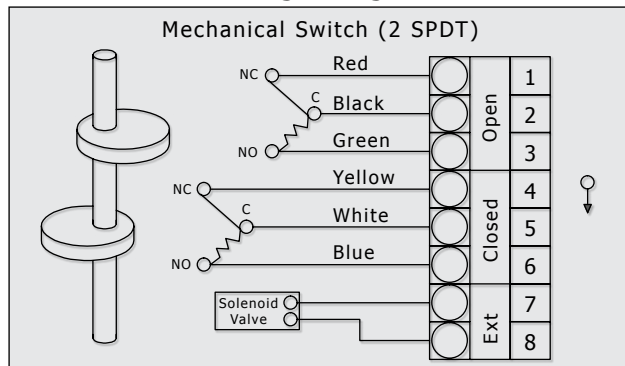
- IP67 Weather Proof Encloure
- Visual Position Indicator
- Quick Set Adjustment Cams
- 2 Mechanical SPDT Switches (voltage-max 250V AC or DC)
- Adjustable Bracket Namur Standards
- Temp. Range -20°F to 175°F



Part No.	Description
S2	Mechanical Switch IP67



## Wiring Diagram



## Materials

Part	Part	Qty
Body	Di-Cast Aluminum Powder Epoxy Coated	1
Position Indicator	Polycarbonate	1
Bolt	316 Stainless Steel	4
Shaft (stem)	316 Stainless Steel	1
Micro Switch	Polycarbonate	2
Seal	EPDM	1
Mounting Bracket	Steel	1

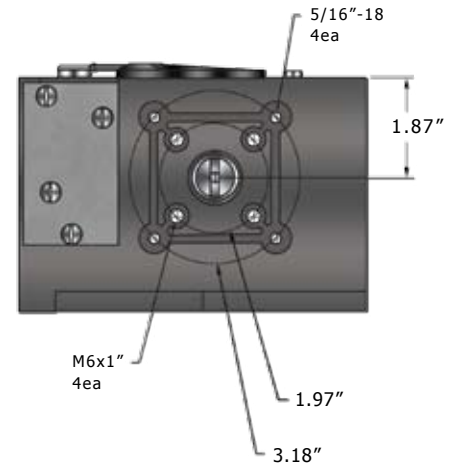
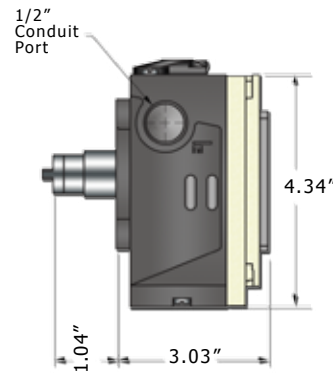
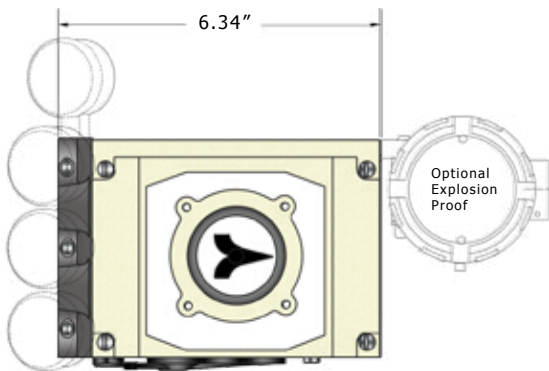
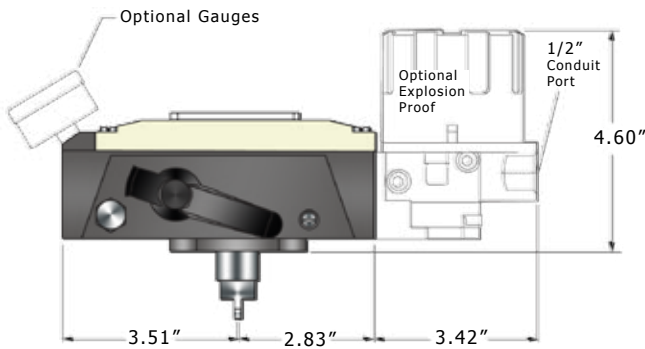
# Rotary Positioner



## 2000 Positioner

Pneumatic and Electro-Pneumatic Valve Positioner

- Nema 4x IP66 Base
- Available Intrinsically Safe and Explosion Safe
- Modular Compact Design
- Single and Double Acting
- External Zero Adjustment
- 100% Duty
- Maximum Supply Pressure 145 Psi



How to Order: Part Number

**2 0 0 0**

**0** = Standard  
**1** = Feed Back  
**2** = Dome Indicator

**0** = Standard  
**1** = Explosion Proof

**0** = 4-20mA  
**1** = 3-15psi

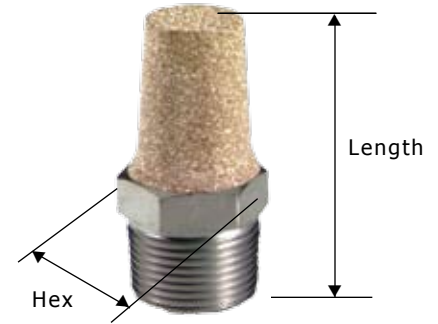


# Solenoid Accessories



## **BV** Breather Vent **SBM** Muffler

- Electroless Nickel Plated Steel Fitting
- Available in Stainless Steel
- 40 Micron Sintered Bronze Element
- 150 Psig Maximum Working Pressure
- Temperature -60°F to 300°F



Part No.	Size	Length	Hex
BV-1	1/8"	0.44	7/16"
BV-2	1/4"	0.63	9/16"
BV-3	3/8"	0.75	11/16"
BV-4	1/2"	0.88	7/8"
BV-6	3/4"	1.00	1-1/16"
BV-8	1"	1.31	1-5/16"
BV-10	1-1/4"	1.41	1-11.16"
BV-12	1-1/2"	1.50	2"

Part No.	Size	Length	Hex
SBM-M	10/32"	0.70	5/16"
SBM-1	1/8"	1.13	7/16"
SBM-2	1/4"	1.38	9/16"
SBM-3	3/8"	1.50	11/16"
SBM-4	1/2"	1.88	7/8"
SBM-6	3/4"	2.25	1-1/16"
SBM-8	1"	2.88	1-5/16"
SBM-10	1-1/4"	3.25	1-11.16"
SBM-12	1-1/2"	3.69	2"

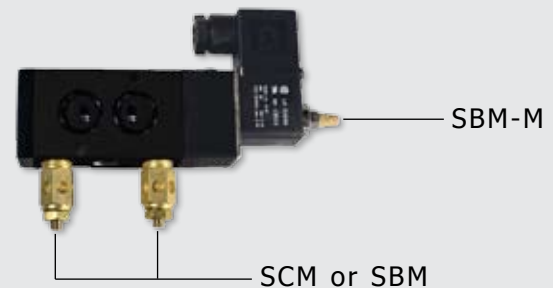


## **SCM** Speed Control Muffler

- Brass Construction
- Available in Stainless Steel
- 40 Micron Sintered Bronze Element
- 150 Psig Maximum Working Pressure
- Temperature -60°F to 300°F

Part No.	Size	Length	Hex
SCM-1	1/8"	1.31	1/2"
SCM-2	1/4"	1.56	9/16"
SCM-3	3/8"	1.63	11/16"
SCM-4	1/2"	2.00	7/8"
SCM-6	3/4"	2.38	1-1/16"
SCM-8	1"	2.50	1-5/16"

### 4-Way Single Solenoid NAMUR W/Options





## Solenoid Accessories



### SCS Cord Set

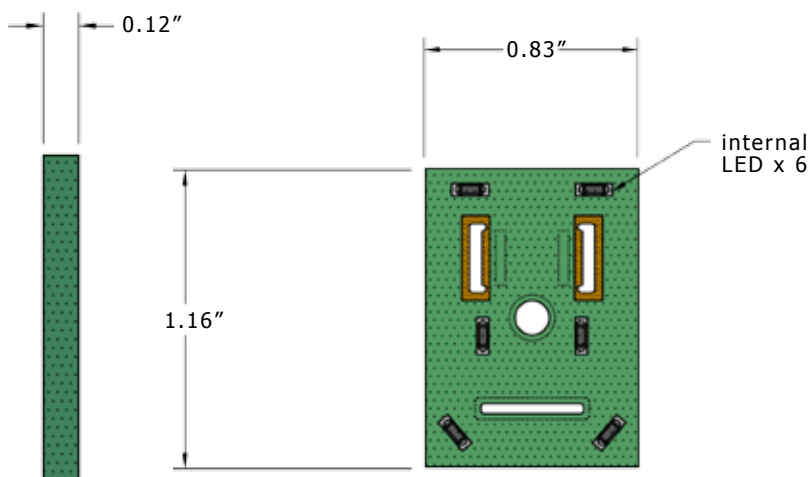
- Fully Seal Molded Connector
- IP67 NEMA 6 Rated
- Integrated Gasket Design
- Molded Polyurethane
- 2 Meter Wire Standard
- Longer Wire Available on Request
- Ambient Temperature -10°F to 175°F

Part No.	Description
SCS-2	2 Meter Wire

### LEDW Indicator

Solenoid Activation Indicator

- Able to Retrofit Existing Systems
- NEMA 4, IP65 Compliant
- Temp. Range -4°F to 194°F
- No Polarity Dependency
- Polyurathane Encapsulated



Part No.	Description
LEDW-1	120 VAC 6mA Max.
LEDW-2	12 to 24 VDC 10mA Max.